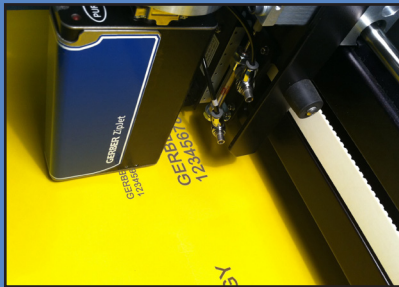


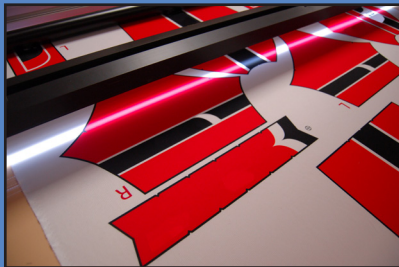
GERBERcutter Z1

GERBERcutter® Z1 is the next generation computer-controlled, automated cutting system and the optimal solution for single- and low-ply cutting of a wide range of challenging composite materials, upholstery fabric and technical textiles.

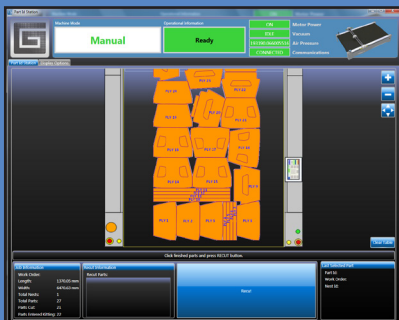
Rely on it to maximize your productivity and profitability, reduce work in process, shorten lead times and ensure precisely cut parts.



Optional inkjet part identification system



Optional ContourVision scan-to-cut system



Optional part identification workstation to accelerate kitting and bundling

Windows®-based software that is easy to use and delivers significant productivity enhancements:

- Comprehensive reports:
 - Analyze system throughput, material yield, processing times, individual job statistics and more
 - Find opportunities to make cutter operators more efficient and to optimize your cutting process
- Job queue enables simultaneous loading of all jobs to be cut during an entire shift or day's work
- Job recovery functionality helps resume cutting at the precise point the job was interrupted
- Wizards automate repetitive processes and accelerate preparation of the cut job

Options that improve workflow productivity.

- Inkjet-printed part identification systems
 - Enable accurate identification of cut parts and composite plies by printing alphanumeric text and bar codes on a variety of materials.
 - Eliminate workflow bottlenecks caused by traditional pen-plotted part annotation and maximize the productivity of your GERBERcutter® Z1.
- Gerber's ContourVision™ scan-to-cut system
 - Enables manufacturers to scan custom printed textiles, automatically generate cut files and cut directly from textile rolls.
- Part identification and re-cutting station
 - Enables the operator to identify cut parts quickly, streamlining the kitting and bundling process.
 - Users can also select parts that require recutting, automatically re-nest them and quickly re-cut them.

Superb cut part accuracy.

- When you determine the optimum settings for your specific materials, save them to re-use time after time.
- Define cutting parameters such as tool pressure, vacuum levels and cutting speed on the cutter's portable workstation and easily adjust them using the touch screen directly at the cutter.
- With electronic pressure regulation, users are able to monitor and electronically regulate the pressure of the knife to optimize the accuracy of cut parts.

Energy efficient.

- Equipped with an intelligent variable vacuum regulator
- Input optimum vacuum levels to cut and convey your materials. The system regulates vacuum levels, minimizing vacuum when the cutter is idle to conserve electricity

GERBER cutter Z1

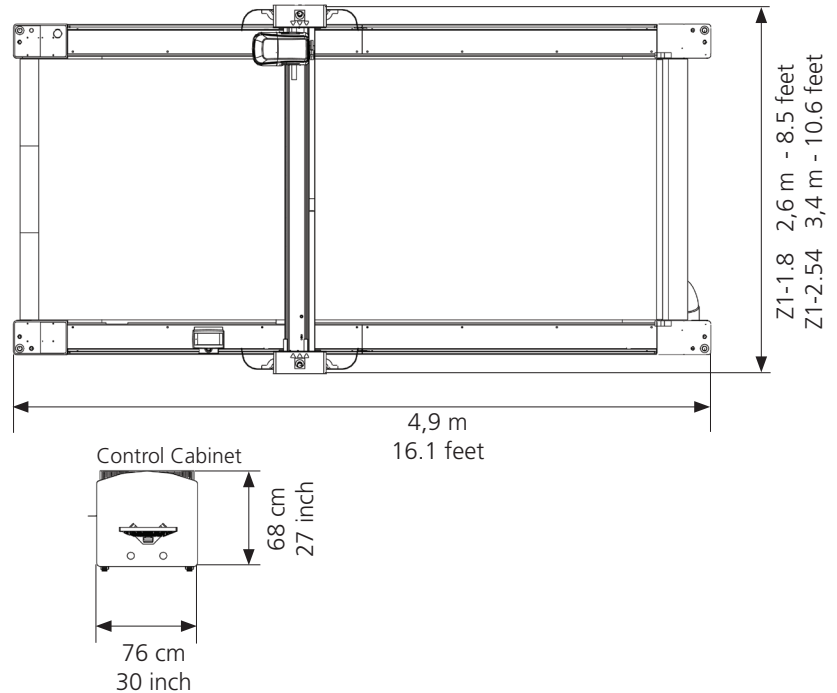
Customizable.

- Input optimum settings for your specific materials and save them to re-use time after time
- Choose to cut materials either in sections or continuously to maximize your workflow and your productivity
- The cutting head accommodates three tools at one time (wheel cutter, drag blade, notch and punch tools) to minimize tool changes and a pen for annotation. Quickly set the cutting origin using the system's laser pointer



Equipped with remote diagnostics.

- GERBERconnect remote diagnostics enables Gerber service professionals to analyze your system via a secure Internet connection and to take steps to ensure it's always in optimum working condition



Technical Specifications

Characteristics		
Cutting Speed (maximum)		
Z1-1.8 Standard Cut Window	1,1 m / second	45 in / second
Z1-1.8 Long Cut Window	1,1 m / second	45 in / second
Z1-2.54	1,1 m / second	45 in / second
Head Acceleration (maximum)		
Z1-1.8 Standard Cut Window	15 m / second ²	1.5 G
Z1-1.8 Long Cut Window	15 m / second ²	1.5 G
Z1-2.54	10 m / second ²	1 G
Table Height	0,80 - 0,96 m	31.3 - 38 in
Cutting Area		
Z1-1.8 Standard Cut Window	1,81 x 1,82 m	71.4 x 71.5 in
Z1-1.8 Long Cut Window	1,81 x 3,04 m	71.4 x 120 in
Z1-2.54	2,54 x 3,04 m	100 x 120 in
Electrical Requirements		
Control and Drive System	3-wire, 200V-240V, Single Phase, 50/60 Hz, 15 Amp	
Table Vacuum	220VAC (200V – 240V) 3 Phase 50/60hz 60 AMP 380-480VAC 3 Phase 50/60hz 30 AMP	
Compressed Air	14 liters/min @ 5,5 - 8,2 bar 0.5 SCFM @ 80-120 PSI	
Operating Environment		
Temperature (maximum)	40°C	104°F
Humidity (maximum)	85% (non-condensing)	